

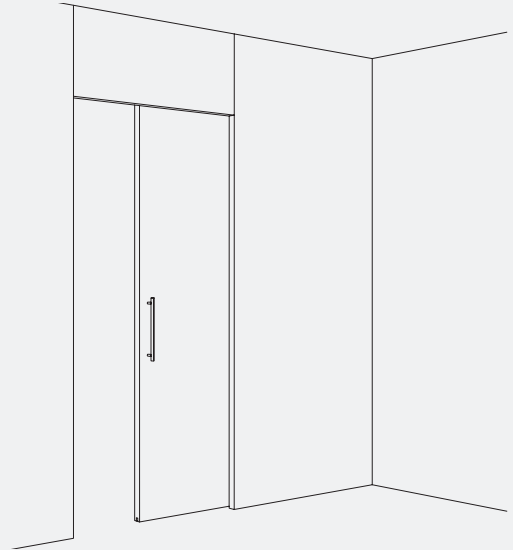
Fitting for top-running wooden doors up to 80 kg (176 lbs.), with surface mounted running track. Optionally with soft and self closing mechanism. Wall or ceiling mounting.

Product highlights

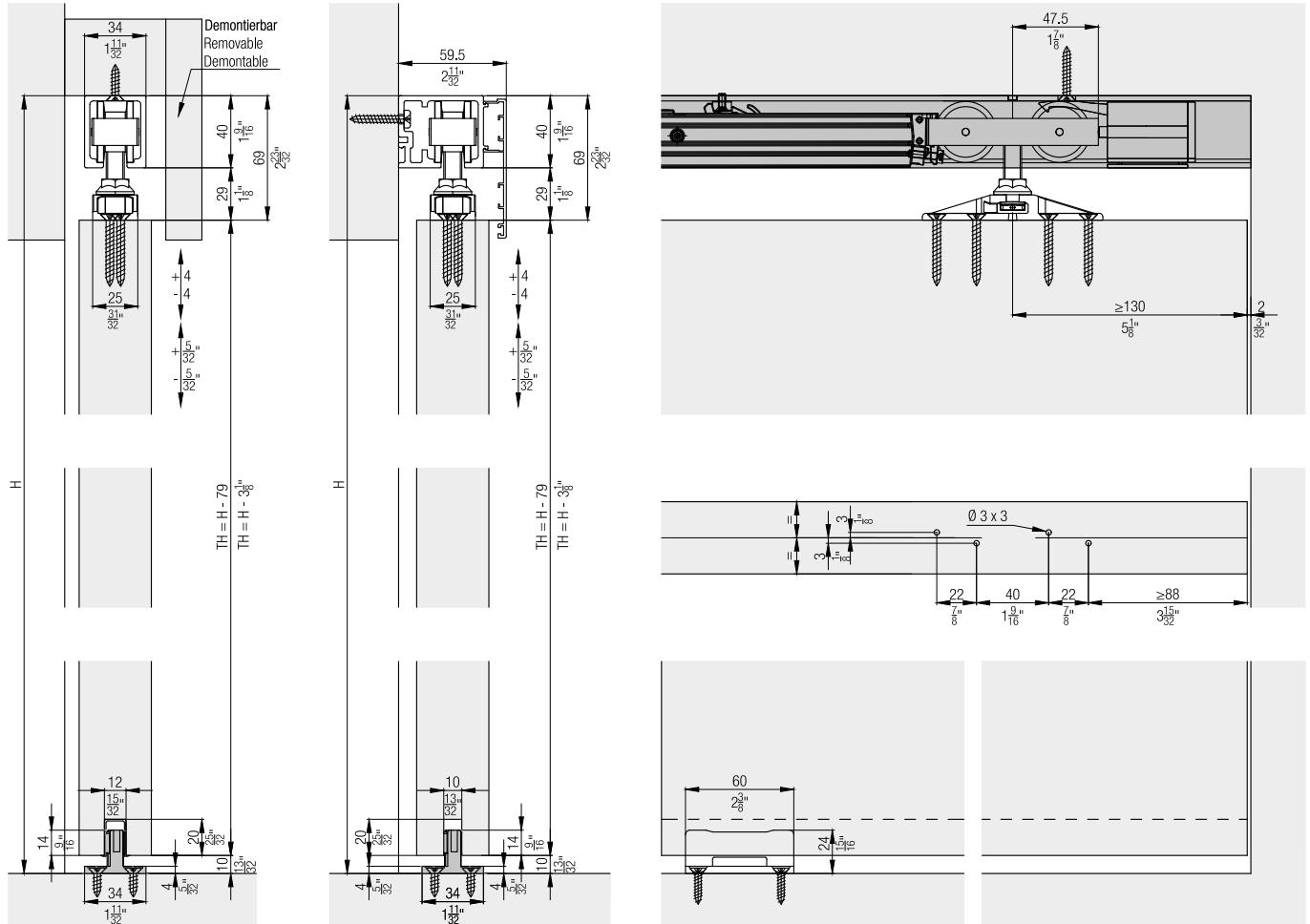
- Productivity** The door can be installed from the front and also slid in from the side
- Flexibility** Running tracks for wall and ceiling mounting with integrated clip-on system

Technical specifications

- Max. 80 kg (176 lbs.)
- Max. 4000 mm (13'1 15/32")
- Max. 3000 mm (9'10 1/8")
- 35–80 mm (1 3/8" to 3 5/32")



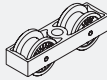
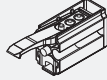

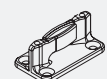


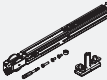
Installation examples





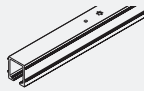
Set for 1 wooden door up to 80 kg (176 lbs.)

	No.
Hawa Junior 80 Z, with 1 track stopper, for 1 door	11705
Hawa Junior 80 Z, with 1 soft close SoftMove 80, for 1 door	23087
Hawa Junior 80 Z, with 2 soft close SoftMove 80, for 1 door	23088
Hawa Junior 80 Z, with 2 track stoppers, for 1 door	26040

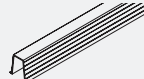
Set consisting of:

		11705	23087	23088	26040	No.
	Running gear, 2-wheeled, M10, plastic wheels	2	2	2	2	10407
	Stopper Hawa Junior 80/100, with adjustable retention spring	1	2	2	2	30138
	Two-way suspension flange, with screw M10 and fixing screws, steel, zinc-plated	2	2	2	2	10489
	Bottom guide, zero tolerance, groove width 10 mm (13/32"), plastic black	1	1	1	1	14427
	Screw-on rubber door stop	1	1	1	1	10629
	Vertical adjustment pin	1	1	1	1	10795
	Soft closing mechanism SoftMove 80		1	2		22444

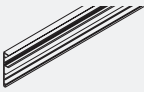
Running tracks

		mm (inch)	No.
	Running track, aluminum, anodized, pre-drilled	1,400 (4' 7 1/8")	10189
		1,600 (5' 3")	10190
		1,800 (5' 10 7/8")	10191
		2,000 (6' 6 3/4")	10192
		2,200 (7' 2 5/8")	10193
		2,500 (8' 2 7/16")	10194
		3,000 (9' 10 1/8")	18532
		4,000 (13' 1 15/32")	18533
	Running track, wall mounting, aluminum, anodized, pre-drilled	6,000 (19' 8 7/32")	10186
		cut to size	10188
		2,000 (6' 6 3/4")	27673
		2,500 (8' 2 7/16")	30323
		3,000 (9' 10 1/8")	27672
		4,000 (13' 1 15/32")	30324
		6,000 (19' 8 7/32")	27671
		cut to size	27695
	Running track, ceiling mounting, aluminum, anodized, pre-drilled	2,000 (6' 6 3/4")	27677
		2,500 (8' 2 7/16")	30320
		3,000 (9' 10 1/8")	27676
		4,000 (13' 1 15/32")	30321
		6,000 (19' 8 7/32")	27675
		cut to size	27696

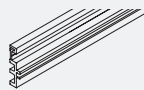
Guide tracks

		mm (inch)	No.
	Guide track, for groove mounting, plastic, 10-piece set	1,300 (4' 3 3/16")	14540

Panels

		mm (inch)	No.
	Clip-on panel to running track, aluminum, anodized	2,000 (6' 6 3/4 ")	27685
		2,500 (8' 2 7/16")	30331
		3,000 (9' 10 1/8 ")	27684
		4,000 (13' 1 15/32")	30332
		6,000 (19' 8 7/32")	27683
		cut to size	27697





Spacer tracks

		mm (inch)	No.
	Spacer track, for wall mounting, plastic, gray	2,000 (6' 6 3/4 ")	057.3054.200
		cut to size	057.3054.990

Panel end component set, 59 mm (2 5/16"), aluminum

		No.
Panel end component set, left, 59 mm (2 5/16"), anodized		30141
Panel end component set, right, 59 mm (2 5/16"), anodized		30142





Set consisting of:

		30141	30142	No.
	Panel end component Z, 59 mm (2 5/16"), left, aluminum, anodized	1		30038
	Bracker connector, steel, zinc-plated	2	2	057.3051.101
	Screw, M4x2.6 mm (5/32"x 1/8"), steel, zinc-plated	4	4	011.0101.171
	Panel end component Z, 59 mm (2 5/16"), right, aluminum, anodized		1	30040

Panel end component set, 66 mm (2 19/32"), aluminum


		No.
Panel end component set, left, 66 mm (2 19/32"), anodized		30143
Panel end component set, right, 66 mm (2 19/32"), anodized		30144

Set consisting of:

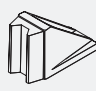
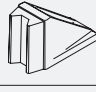
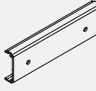

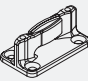
		30143	30144	No.
	Panel end component Z, 66 mm (2 19/32"), left, aluminum, anodized	1		30037
	Bracker connector, steel, zinc-plated	2	2	057.3051.101
	Screw, M4x2.6 mm (5/32"x 1/8"), steel, zinc-plated	4	4	011.0101.171
	Panel end component Z, 66 mm (2 19/32"), right, aluminum, anodized		1	30039

Soft close SoftMove 80

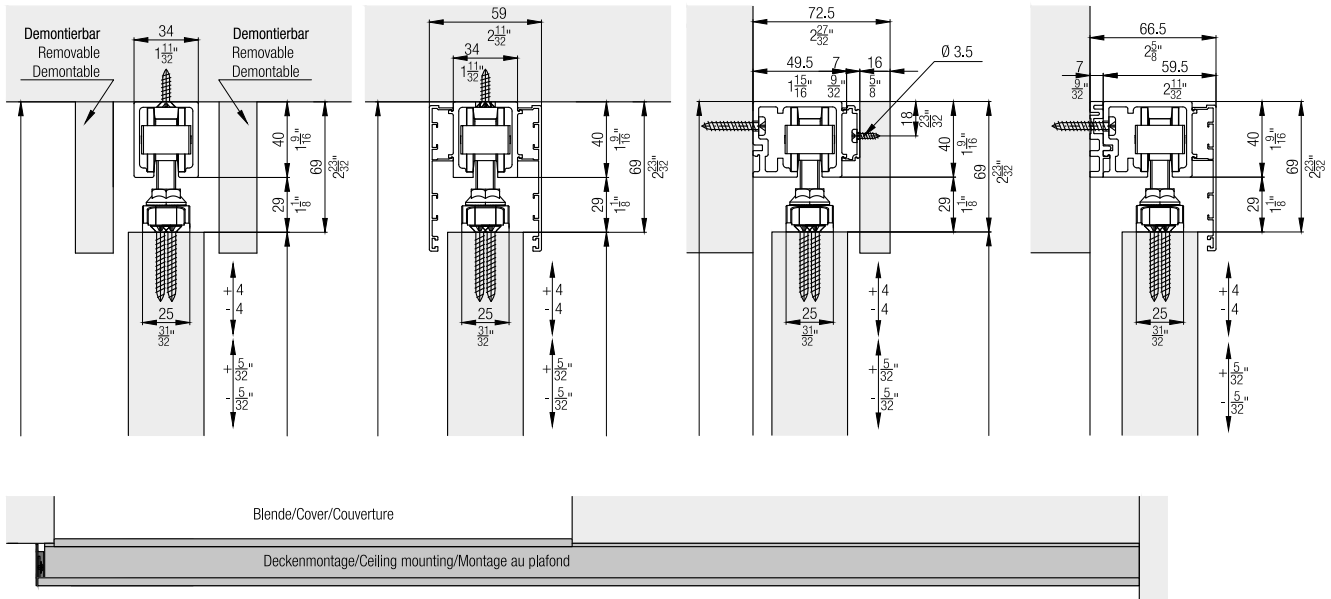
For soft closing in opening and closing direction order 2 sets.

		No.
	Soft closing mechanism SoftMove 80	22444

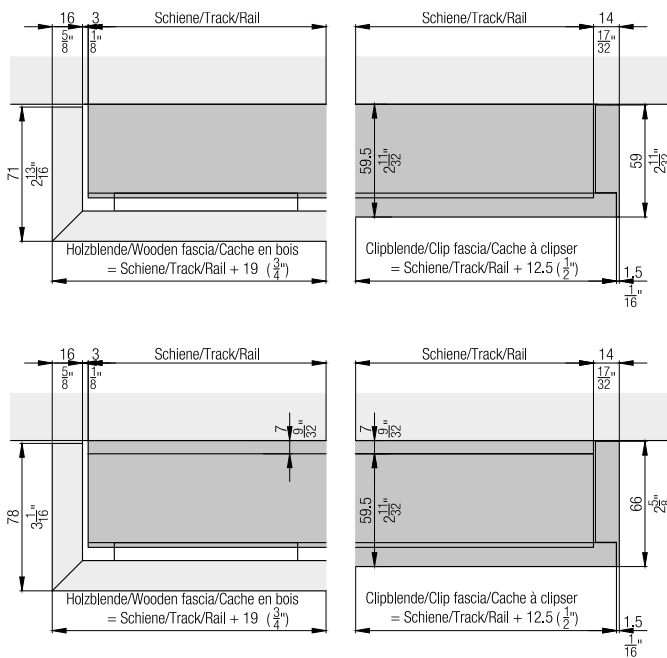
Accessories

		No.
	Bottom door stopper, with centering, stainless steel look	21473
	Bottom door stopper, with centering, chrome-plated, matt	20773
	Clip component for wooden and aluminum panel, every 500 mm (1'7 11/16"), aluminium, pre-drilled	057.3117.001
	Hawa SoundEX for Hawa Junior 80, includes fixing parts for running track	19589
	Bottom guide, rattle proof, groove width 10 mm (13/32"), plastic, black, 10-piece set	25958

Further installation examples

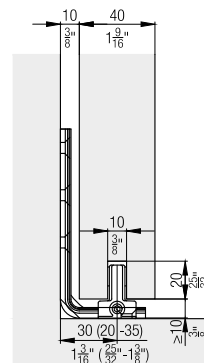


Calculations of clip-on panels



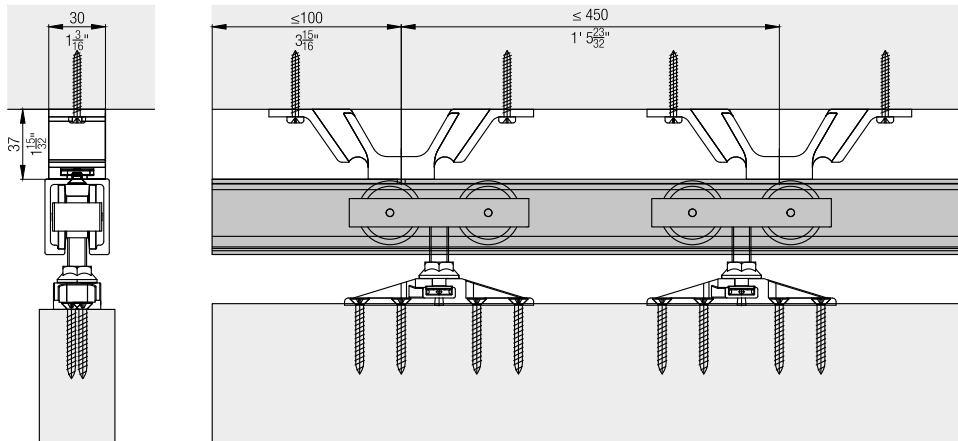
Hawa Confort 120

The convenient solution for inadequate fastening options in brittle sub-floors or in the area of floor heating. This bottom guide is mounted on the wall. Details and accessories from page 476.



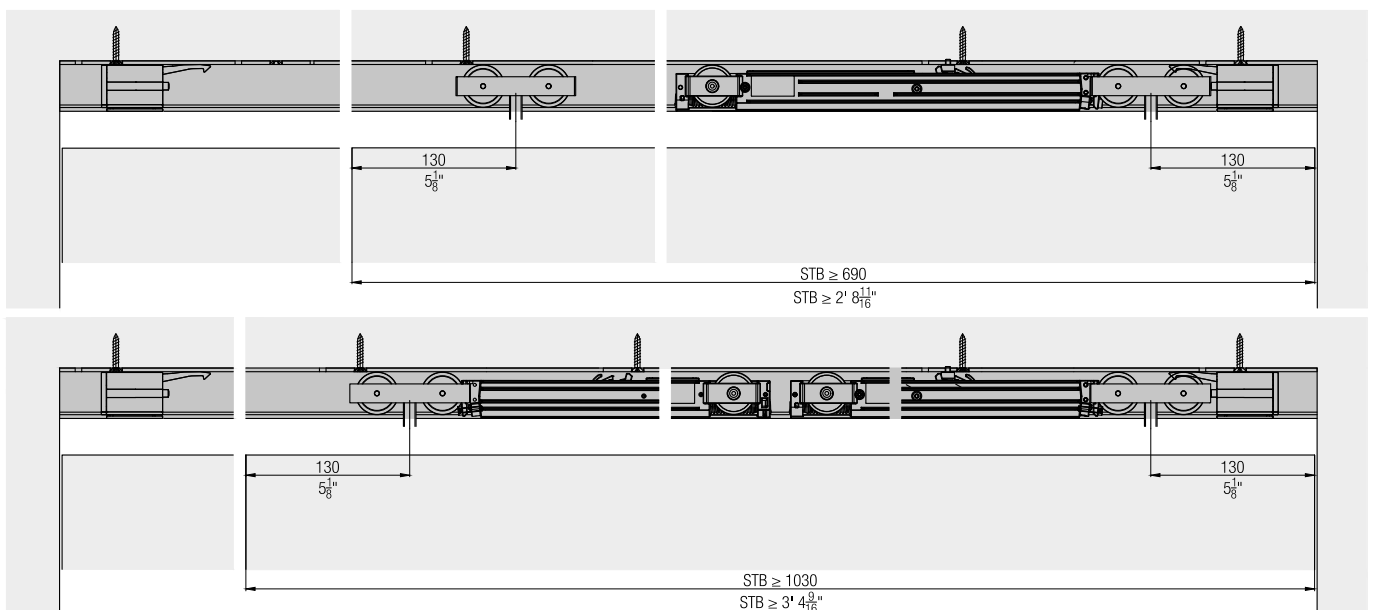
Hawa SoundEx

Contains the transmission of structure-borne noise from a sliding system to the building.



SoftMove 80 soft closing mechanism

Completely integrated into the running track, the SoftMove decelerates sliding doors and draws them into their final position.



Accessories

- Hawa Junior bottom guides for wall mounting from page 476
- Lock solutions from page 479
- General accessories from page 487

Planning/execution

Further information about the product can be found on www.hawa.com.